

Calibration Instructions for the Standard Version of the SJ-H/HS series

When is to Calibration Required?

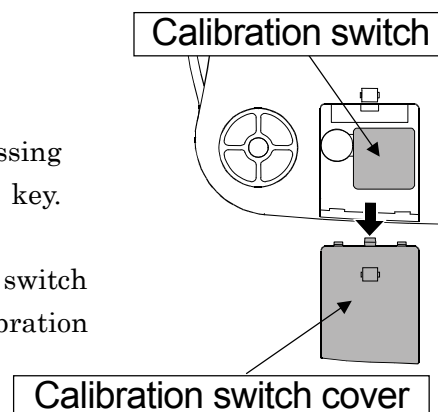
Calibration may be required when the SJ-H/HS series initially installed or if the scale is moved a substantial distance.

Calibration using a Calibration Weight

1. Entering calibration mode.

Press the [ON/OFF] key to turn the power off. While pressing both the [RE-ZERO] and [UNITS] keys, press the [ON/OFF] key. Then \boxed{CAL} will be displayed.

\boxed{CAL} can also be displayed by removing the calibration switch cover at the bottom of the device and pressing the calibration switch while the device is in the Weighing Mode.



2. Zero calibration

Press the [RE-ZERO] key to calibrate zero. $\boxed{CAL0}$ will be displayed.

Wait for the Stable Indicator to be displayed, then press the [RE-ZERO] key.

\boxed{CALF} will be displayed after a few seconds. Press the [UNITS] key to perform only a Zero Calibration. The scale will then automatically return to the Weighing Mode.

3. Span calibration

When \boxed{CALF} is displayed, place the weight at the center of the platform. Wait for the Stable Indicator to be displayed, then press the [RE-ZERO] key. The display will show \boxed{End} and the scale will automatically return to the Weighing Mode.

See "SPECIFICATIONS" about the calibration weight.

Calibration by Gravity Compensation

If the acceleration of gravity at your location is not 9.798 m/s^2 and you do not have calibration weights, the scale can be calibrated by compensating for the acceleration of gravity. (Refer to "The Value of Gravity at Various Locations".)

1. Setting a new acceleration value.

When \boxed{CAL} is displayed, press the [UNITS] key and $\boxed{9.798}$ will be displayed. Press the [RE-ZERO] key to increment the blinking digit and press the [UNITS] key to move the blinking digit.

2. Storing the value in the memory.

While pressing the [UNITS] key, press and hold the [RE-ZERO] key and release the [UNITS] key. Then the display will show \boxed{End} and return to \boxed{CAL} . Turn the scale off to finish the procedure.

SPECIFICATIONS

MODEL	SJ-1000H/HS	SJ-2000H/HS	SJ-5000H/HS	SJ-5001H/HS	SJ-12KH/HS	
Capacity x Resolution	(k)g	1000 g x 0.5 g	2000 g x 1 g	5000 g x 2 g	5000 g x 1g	12 kg x 5g
	lb	2.2 lb x 0.001 lb	4.4 lb x 0.002 lb	11 lb x 0.005 lb	11 lb x 0.005 lb	26 lb x 0.01 lb
	oz	35 oz x 0.02 oz	70 oz x 0.05 oz	176 oz x 0.1 oz	176 oz x 0.1 oz	423 oz x 0.2 oz
	lb-oz	2.2 lb x 0.1 oz	4.4 lb x 0.1 oz	11 lb x 0.1 oz	11 lb x 0.1 oz	26 lb x 1 oz
Calibration weight	1000g ± 0.1g	2000g ± 0.2g	5000g ± 0.5g	5000g ± 0.5g	10 kg ± 1g	

The Value of Gravity at Various Locations

Amsterdam	9.813 m/s ²	Havana	9.788 m/s ²	Rio de Janeiro	9.788 m/s ²
Athens	9.807 m/s ²	Helsinki	9.819 m/s ²	Rome	9.803 m/s ²
Auckland NZ	9.799 m/s ²	Kuwait	9.793 m/s ²	San Francisco	9.800 m/s ²
Bangkok	9.783 m/s ²	Lisbon	9.801 m/s ²	Singapore	9.781 m/s ²
Birmingham	9.813 m/s ²	London (Greenwich)	9.812 m/s ²	Stockholm	9.818 m/s ²
Brussels	9.811 m/s ²	Los Angeles	9.796 m/s ²	Sydney	9.797 m/s ²
Buenos Aires	9.797 m/s ²	Madrid	9.800 m/s ²	Taichung	9.789 m/s ²
Calcutta	9.788 m/s ²	Manila	9.784 m/s ²	Vancouver, BC	9.809 m/s ²
Cape Town	9.796 m/s ²	Melbourne	9.800 m/s ²	Washington DC	9.801 m/s ²
Chicago	9.803 m/s ²	Mexico City	9.779 m/s ²	Wellington NZ	9.803 m/s ²
Copenhagen	9.815 m/s ²	Milan	9.806 m/s ²	Zurich	9.807 m/s ²
Cyprus	9.797 m/s ²	New York	9.802 m/s ²	Taiwan	9.788 m/s ²
Djakarta	9.781 m/s ²	Oslo	9.819 m/s ²	Taipei	9.790 m/s ²
Frankfurt	9.810 m/s ²	Ottawa	9.806 m/s ²	Tokyo	9.798 m/s ²
Glasgow	9.816 m/s ²	Paris	9.809 m/s ²		

